

Smart Meter

SM3000



Versatile

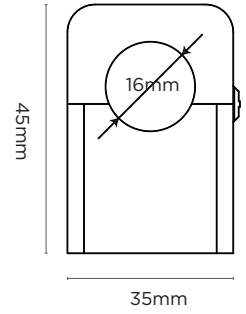
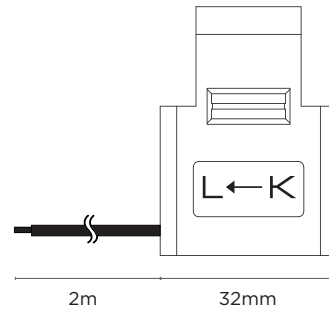
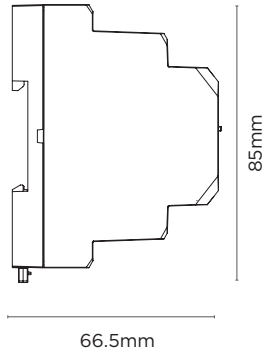
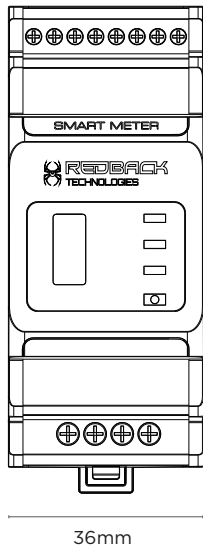
Monitor single, two or three phase homes.



Compact

Small size (2 pole) and included CTs for easy install.

Dimensions



Smart Meter - SM3000

Application	Single-phase; 2-phase; 3-phase	
Voltage input	Nominal voltage	3L+N/400VAC
	Voltage range	0.7-1.2Un
	Frequency	50Hz/60Hz
	In-line fuse	0.5A (install on each active line)
Current input (max)	40mA	
Transformers	Maximum input current, I_b	120A
	Minimum input current	0.48A
	Maximum output current	40mA @ 120A
Precision	Voltage/current	Class 1
	Active power	Class 1
	Reactive power	Class 2
Data detection	Voltage / current / active power / reactive power / power factor / frequency	
Energy calculation	Active / reactive power energy	
Communications	With inverter	RS485 @9600 baud / modbus protocol / cable length 100m max
Power consumption	3W max	
Dimensions	Smart Meter: 85h x 66.5d x 36w mm	
	Transformer: 45h x 35d x 32w mm (excluding cable 2m)	
Mass	Smart Meter	150g
	Transformer and 2m lead	120g
Mounting	Din rail - top hat rail EN 50022 - 35 x 7.5	
Operating conditions	Protection class: IP20 (indoor)	
	Ambient temperature: -20-60°C	
Compliance	Ce (IVD, EMC, ROHS)	

Effective August 2018